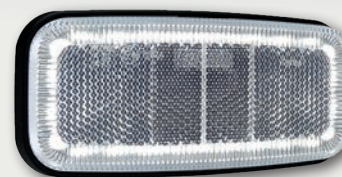


FT-075 LED

NEW!



HOMOLOGATION: VERTICAL

HOMOLOGATION: VERTICAL / HORIZONTAL

HOMOLOGATION: VERTICAL / HORIZONTAL

2-functional LED clearance lamp – low power consumption.

- European E9 homologation
- ElectroMagnetic Compatibility – EMC certificate
- Optional polarity connection

ASSEMBLY SCREWS ARE NOT VISIBLE
 TIMELESS DESIGN
 INNOVATIVE ASSEMBLY „CLICK-ON”
 HIGH LEVEL OF LIGHT EMISSION
 2-FUNCTIONAL ANGLE HOLDER

Lamp functions:

- rear clearance light with reflector
- front clearance light with reflector
- side clearance light with reflector

Technical specification:

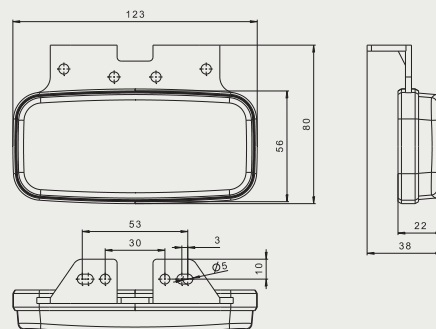
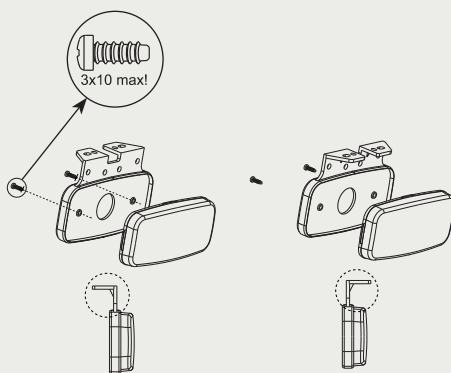
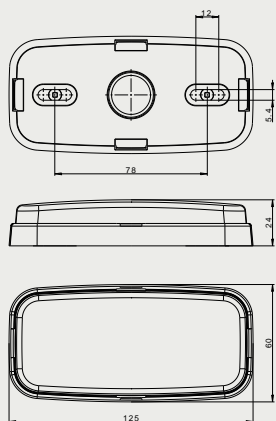
- supply voltage: 12-36V DC
- operating temperature: – 40°C to +55°C
- lamp is resistant to any weather conditions
- lamp is fully airtight

Power consumption:

12V/24V=0,08A/0,08A

Power consumption / Rated power:

12V/24V = 1,0W/2,0W



... all you need is light

BIURO:
 FRISTOM
 Spółka z ograniczoną odpowiedzialnością i Sp. K.
 ul. Grunwaldzka 207A
 POLAND, 85-451 Bydgoszcz

EXPORT:
 mobile +48 609 909 456
 bstaniaszek@fristom.com.pl
 mobile +48 607 843 275
 wsaran@fristom.com.pl