

FT-362 LED / FT-363 LED

A new series of universal work lamps.

- **FT-362 LED** – beam angle 60°. Enables intense illumination of a short-range working area. obszaru roboczego o niewielkim zasięgu.
- **FT-363 LED** – beam angle 10°. A narrow beam of light allows for precise illumination of distant areas.

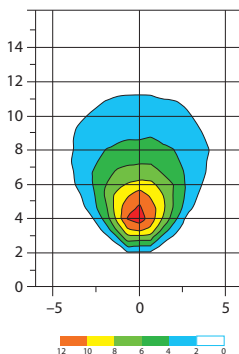
Current consumption: **12V/24V = 0.9A/0.45A**

Rated Power: **11 W**

Light color temperature approx. **5700K**

Lamp luminous flux after 5 minutes **1200 lm**
(minimum flux **1100 lm**)

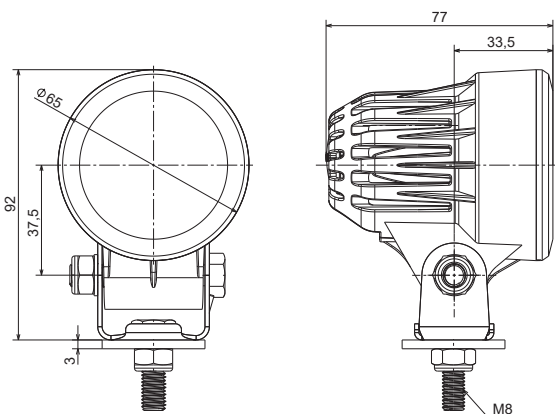
The lamp is completely waterproof **IP69**



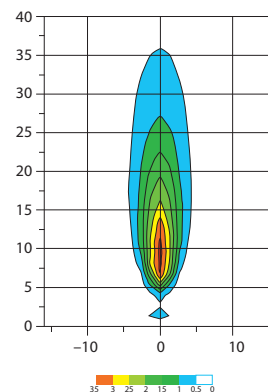
FT-362 LED



1200 LM



FT-363 LED



FT-362 LED	LED work lamp, round, wide luminous flux, 1200 lm, cable 1.5 m.
FT-362 DS LED	LED work lamp, round, wide luminous flux, 1200 lm with a Deutsch Stecker socket.
FT-363 LED	LED work lamp, round, focused light beam, 1200 lm, cable 1.5 m.
FT-363 DS LED	LED work lamp, round, focused light beam, 1200 lm with a Deutsch Stecker socket.